

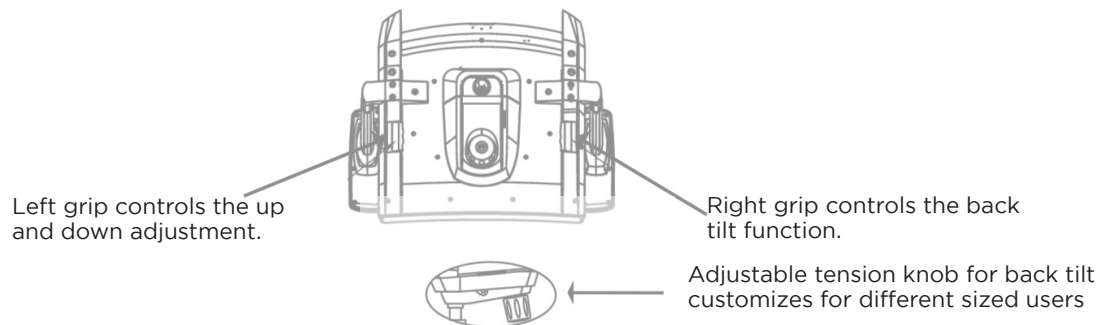
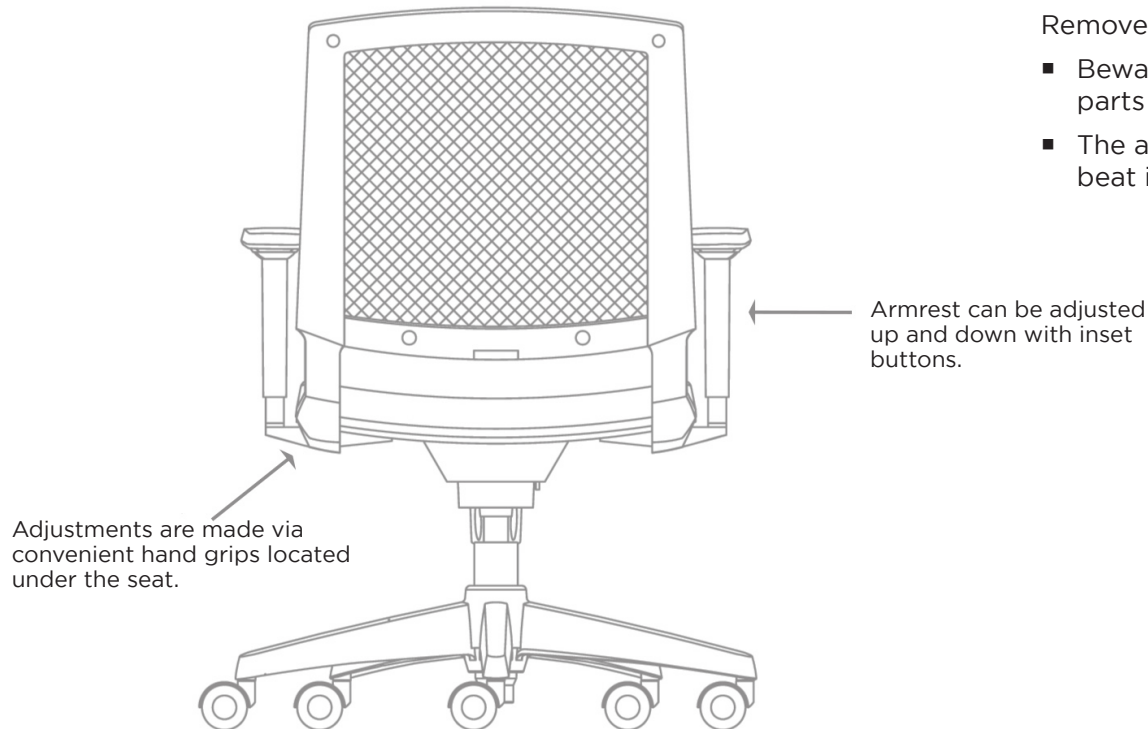
User Guide and Assembly Instructions

AMENITY

Please note:

Remove all items from cartons. Verify all pieces before assembling

- Beware of the product surface, especially the painted and polish parts when assembling
- The assembled part of the gas lift is non-metal. Beware not to beat it with a hard object.

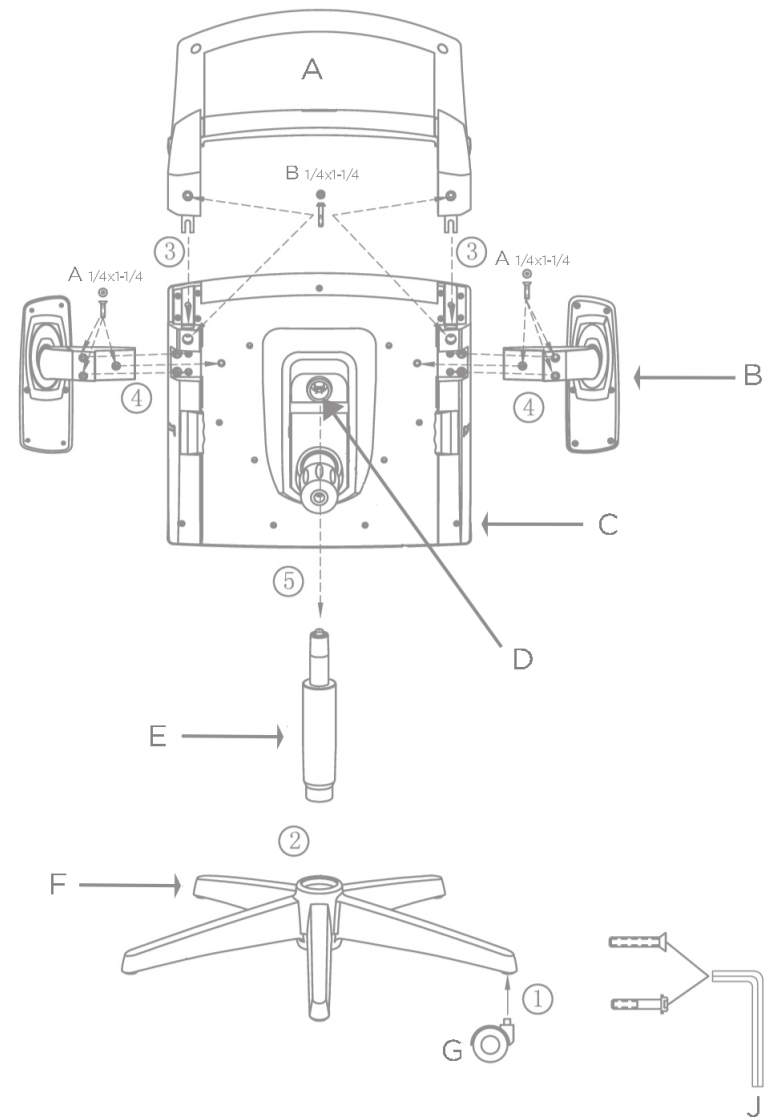
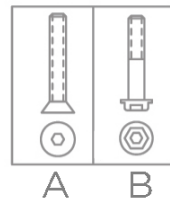


Parts

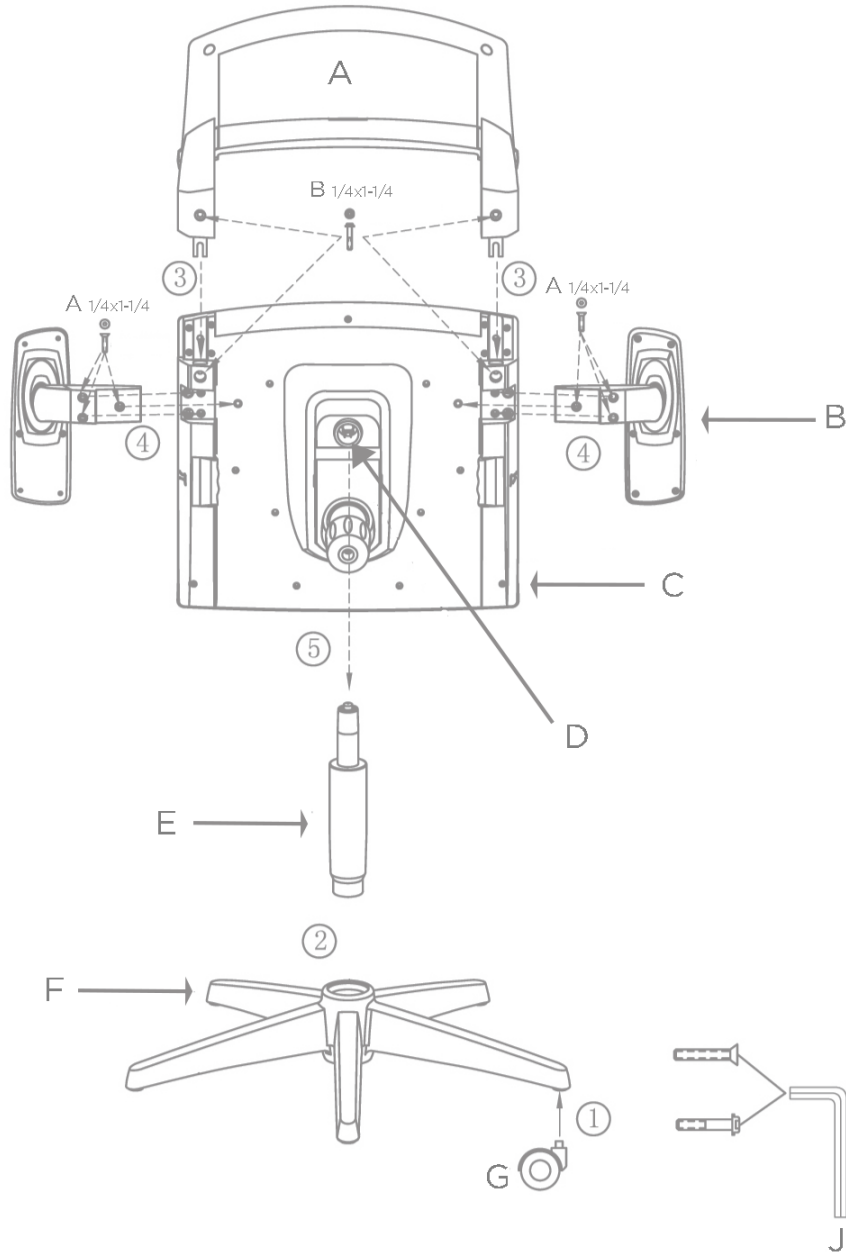
Attention: Carefully check all parts according to the instructions before assembling. Please assemble carefully to avoid scratching surfaces, especially powder coated surfaces.

No.	Parts	Qty.
A	Backrest	1
B	Armrest L/R	1 each
C	Seat Cushion	1
D	Seat Mechanism	1
E	Gas Lift	1
F	Base	1
G	Castor	5
J	Wrench	1

Item	Specification	Qty.	Spare
A	1/4" x 1-1/4	6	1
B	1/4" x 1-1/4	4	1



Assembly Instructions



Step 1:

Insert the Caster (G) into the hole at the bottom of the five star base (F).

Step 2:

Insert the thick part of the gas lift (E) into the center hole of the five star base (F).

Step 3:

Attach the backrest (A) to seat cushion (C), then fasten the screw (B) from underside.

Step 4:

Match the arm rest (B) with two sides of seat cushion (C), then fasten with screw.

Step 5:

Put the seat cushion (C), which has been attached to backrest (A) on the gas lift; then insert the cone-shaped hole of seat mechanism (D) into the thin part of gas lift (E).

Step 6:

Ensure that all screws are fully tightened before using the chair.

Product Dimensions

